



**SCIENCE**

**P5 Science  
EOY Revision**

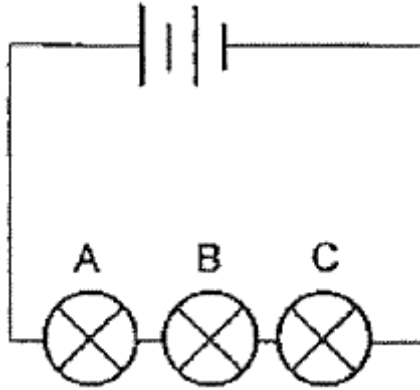
**P6 SCIENCE**



## Booklet A: Multiple Questions

Choose the most suitable answer and write its number in the brackets.

1. Study the electric circuit as shown.

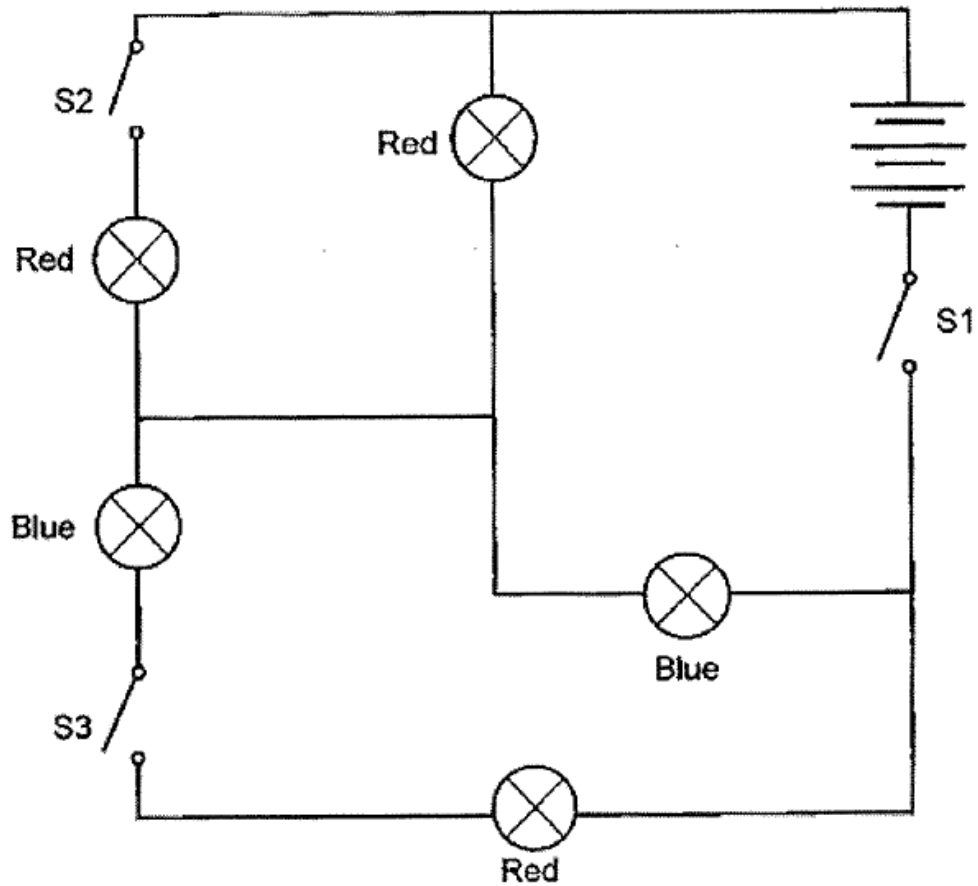


What will happen to the brightness of bulb A if bulb B is removed and replaced with a piece of wire?

- (1) Bulb A will become brighter.
- (2) Bulb A will become dimmer.
- (3) Bulb A will no longer light up.
- (4) Bulb A will be as bright as before.

(     )

2. Ravi sets up the circuit as shown.

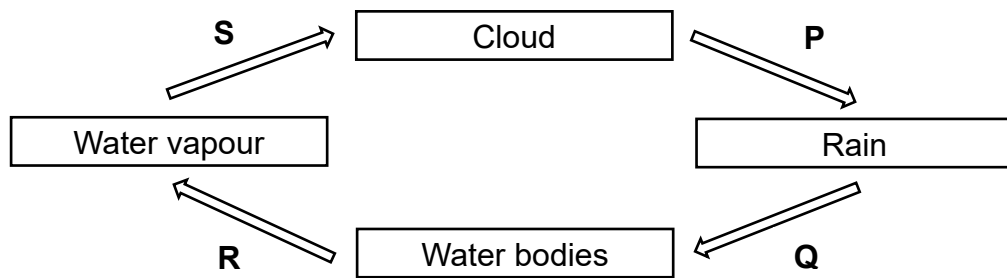


Which switches (S1, S2, S3) should Ravi close so that only two blue bulbs and two red bulbs are lighted up at the same time?

- (1) S1 and S2
- (2) S1 and S3
- (3) S2 and S3
- (4) S1, S2 and S3

(     )

3. The diagram below shows a water cycle.



Which letter represents a process that involves a change in state due to heat loss?

- (1) P
- (2) Q
- (3) R
- (4) S

( )

4. The table shows the states of four different substances, A, B, C and D, at different temperatures.

Which substance has the lowest boiling point?

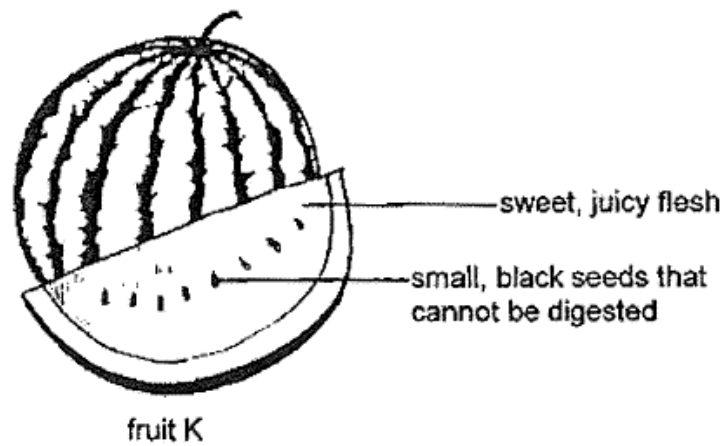
		State of substance		
Substance		At 8 °C	At 55 °C	At 85 °C
(1)	A	Liquid	Liquid	Gas
(2)	B	Solid	Liquid	Liquid
(3)	C	Liquid	Gas	Gas
(4)	D	Solid	Solid	Solid

( )

## Section B

Write your answers in the spaces provided.

5. Henry observed the seeds of fruit K.

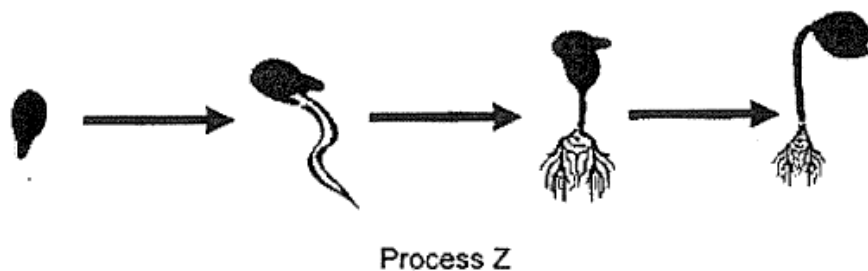


(a) Describe how the characteristics of fruit K helps in its dispersal. [1]

---

---

(b) After a few days, Henry observed that the seed undergoes Process Z.



(i) What is Process Z? [1]

---

(ii) State the conditions needed for process Z to take place. [1]

---

---

- (c) Henry wants to investigate if the presence of light will affect process Z. He only has the following items shown below which he may use some or all of them.

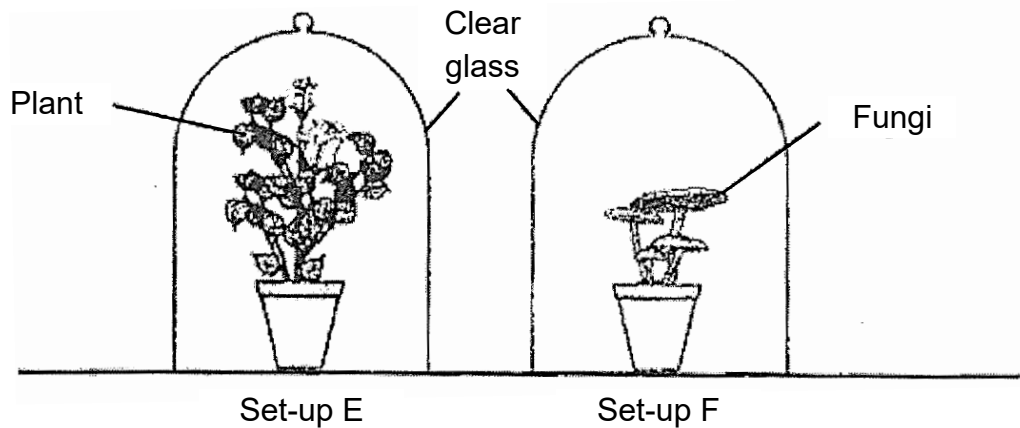
Item	Number
red bean seed	10
wet cotton wool	4
table lamp	2

He placed two identical beakers in a dark room for his investigation.

In the table below, state the number of each item he should use for each set-up. [2]

	Item	Number
<b>Experimental set-up</b>	red bean seed	
	wet cotton wool	
	table lamp	
<b>Control set-up</b>	red bean seed	
	wet cotton wool	
	table lamp	

6. Abdul placed two set-ups near the window and gave them the same amount of water daily.



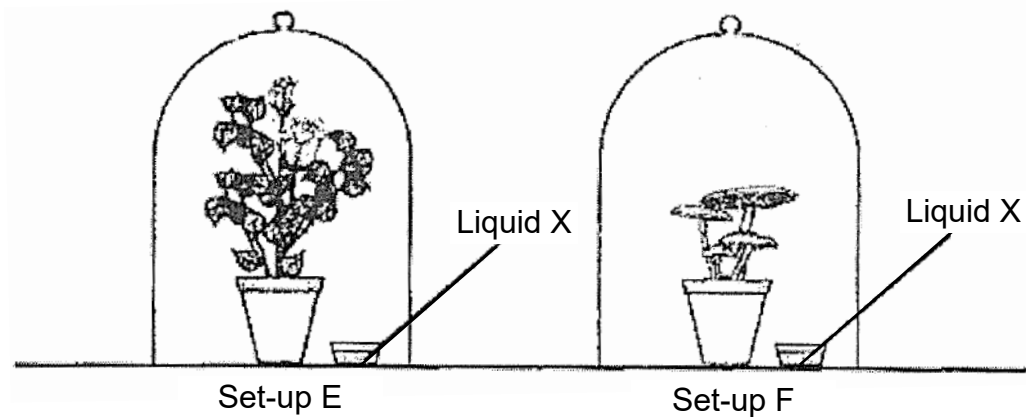
- (a) After a few days, which set-up had lesser oxygen? Explain your answer. (2m)

---



---

Abdul then placed the same quantity of liquid X, which absorbs a particular gas, into each set-up. After a few days, Abdul noticed that the plant in set-up E died but the fungi in set-up F was still alive.



- (b) What gas did liquid X absorb? (1m)

---

- (c) Explain why the plant in set-up E died. (1m)

---



---