



P5 Math EOY Revision

P6 MATH



Section A – MCQ

1) Which of the following is eight hundred and six thousand and thirteen in numerals?

(1) 800 613

(2) 806 013

(3) 806 130

(4) 860 013

()

2) What is the value of $36\,000 \div 400$?

(1) 9

(2) 90

(3) 900

(4) 9 000

()

3) Find the value of $102 - 24 \div (3 + 1) \times 2$

(1) 39

(2) 84

(3) 90

(4) 96

()

4) Which of the following is equal to $5\frac{2}{5}$?

- (1) 5.52
- (2) 5.40
- (3) 5.25
- (4) 5.20

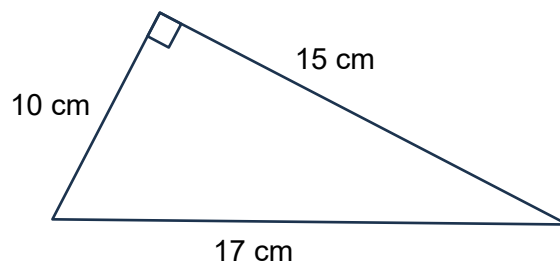
()

5) What does the digit 6 in 8.567 stand for?

- (1) 6 ones
- (2) 6 tenths
- (3) 6 hundredths
- (4) 6 thousandths

()

6) The figure shows a right-angled triangle.

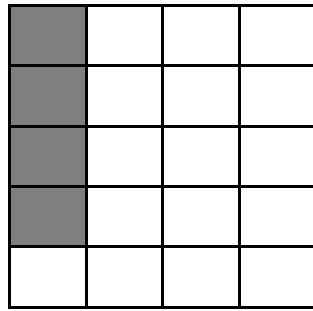


Find the area of the triangle.

- (1) 150 cm²
- (2) 120 cm²
- (3) 85 cm²
- (4) 75 cm²

()

7) The figure is divided into 20 equal parts.

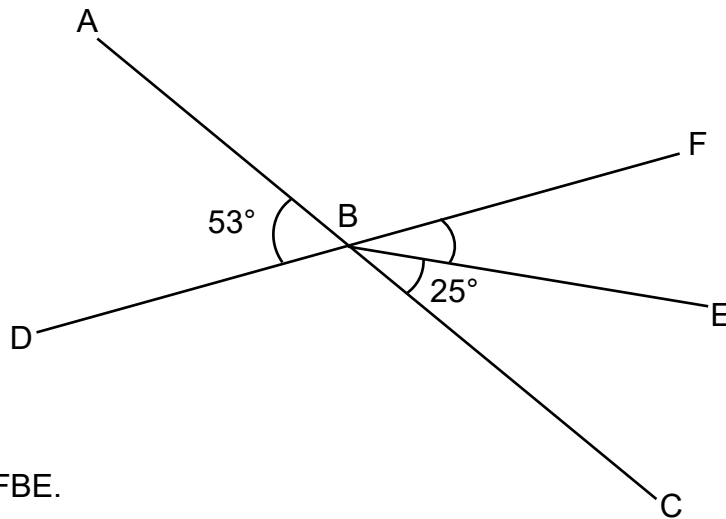


What percentage of the figure is unshaded?

- (1) 80%
- (2) 75%
- (3) 25%
- (4) 20%

()

8) In the figure, ABC and DBF are straight lines.



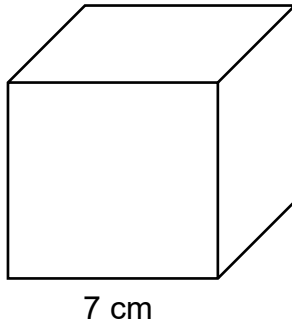
Find $\angle FBE$.

- (1) 29°
- (2) 28°
- (3) 27°
- (4) 25°

()

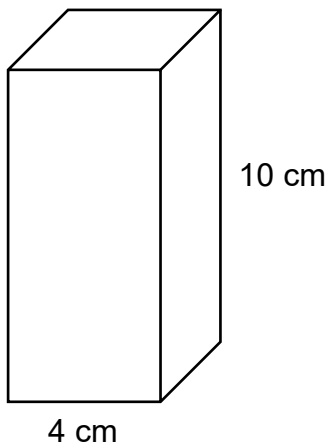
Section B – Short Answer Questions

9) (a) What is the volume of the cube shown below?



Ans:(a)_____cm³

(b) A cuboid of height 10 cm has a square base of side 4 cm.
What is its volume?



Ans: (b)_____cm³

10) Gear A makes 78 rotations in 6 minutes.

Gear B makes 81 rotations in 9 minutes.

(a) How many rotations will Gear A make in 1 minute?

Ans: (a) _____

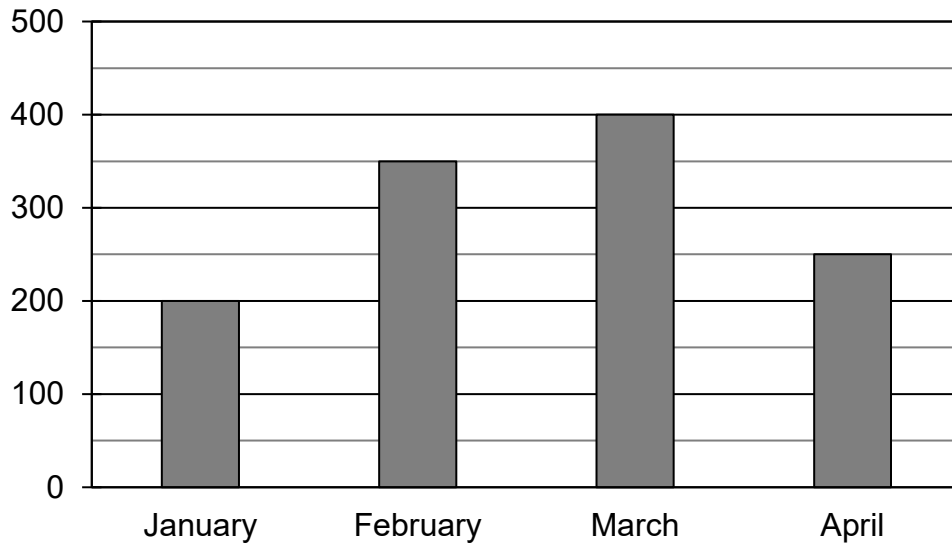
(b) Which gear rotates at a slower rate?

Ans: (b) Gear _____

11) List all the common factors of 16 and 36.

Ans: _____

12) The bar graph below shows the number of fans sold from January to April.



Find the average number of fans sold from January to April.

Ans: _____

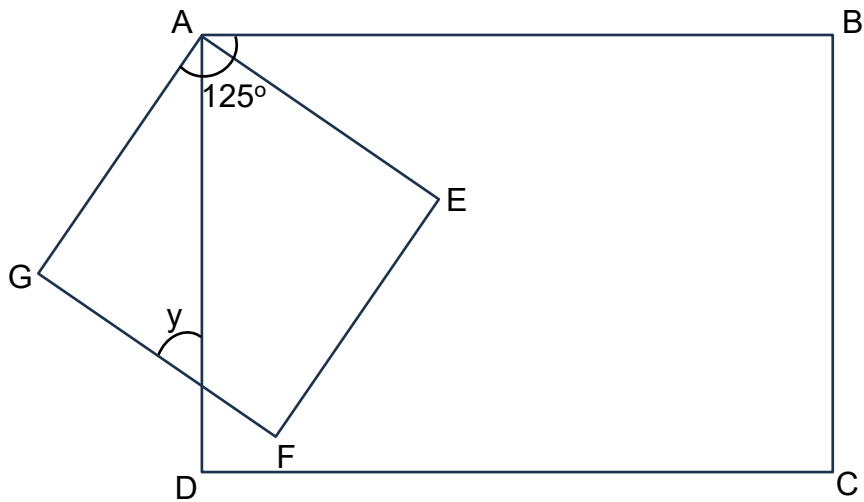
13) Garreth drove from Singapore to Kuala Lumpur.

He left Singapore at 8.10 a.m. and thought that he would take 5 h 15 min to reach Kuala Lumpur. He arrived 45 min earlier in the end.

What time did he reach Kuala Lumpur?

Ans: _____

14) ABCD is a rectangle and AEFG is a square. $\angle GAB$ is 125° .



Find $\angle y$.

Ans: _____^o

15) A bookshelf can hold a maximum of either 36 small books or 24 big books.

There are already 6 small books on the bookshelf.

At most, how many more big books can the bookshelf hold?

Ans: _____

Section C – Problem Sums

16) Mr Lim had a sum of money at first. He gave $\frac{2}{5}$ of it to his wife.

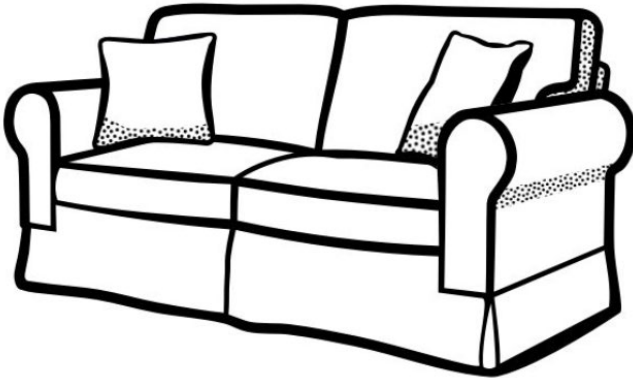
He gave $\frac{3}{4}$ of the remainder to his two children.

Each child received the same amount of money. Mr Lim saved the rest of his money. He saved \$378. How much did Mr Lim give to each of his children?

Ans: _____ [3]

17) A sofa cost \$1850.

Barry bought the sofa during a sale and a discount of 30% was given.



(a) What was the discounted price?

Ans: (a) _____ [1]

(b) Barry had to pay 9% GST on the discounted price.
How much did he pay for the sofa including GST?

Ans: (b) _____ [2]